



MOSQUITO MAGNET[®]

Advanced Mosquito Defense Systems

Attracts and Kills Mosquitoes



Smart Technology



Cordless



EXECUTIVE

For Outdoor Use Only
#1440-655

Operation Manual



Welcome

Congratulations on your purchase of Mosquito Magnet®. Now you can begin to enjoy your outdoor living space again.

Mosquito Magnet is the #1 mosquito trap in North America. Backed by 18 years of research and independent testing, Mosquito Magnet is scientifically proven to effectively reduce mosquitoes & other biting insects from your yard.

Mosquito Magnet is easy to use. The enclosed CD-ROM provides key information for getting started. In this manual, you'll learn everything you need to know about how it works, optimal trap placement, maintenance, storage and warranty information. The keys to success are trap placement, utilization of the correct attractant for your area and routine maintenance. For optimal catch rate, you'll need to change the propane tank and attractant every 21 days and use the Quick Clear Cartridge every tank change.

Visit us online at www.mosquitomagnet.com for additional information regarding Mosquito Magnet tips and testimonials.

Woodstream® Corporation

69 North Locust Street
Lititz, PA 17543
United States
www.mosquitomagnet.com

Patents:

USA: Nos. 6,145,243; 6,286,249; 6,817,140; 6,840,005; 6,848,466; 6,892,492; 7,074,830; 7,243,458; 7,281,351 and 7,293,387

Canada: Nos. 2,265,944 and 2,322,038

Europe: Nos. 1,011,324; 1,049,373 and 1,432,304

Australia: Nos. 726575 and 735984

New Zealand: Nos. 335035 and 506403

Singapore: Nos. 64595 and 117722

S. Africa: Nos. 97/8366 and 2005/08973

China: No. ZL0281957.X

Brazil: 9711492-8 and 9908104-0

Mexico: 250623 and 250272

Other patents pending

Made in USA

FOR YOUR SAFETY

If you smell gas:

1. Shut off the gas to the appliance.
2. Extinguish any open flame.
3. Open lid.
4. If odor continues, immediately call your gas supplier or your fire department.

FOR YOUR SAFETY

1. Do not store or use gasoline or other flammable vapors and liquids in the vicinity of this or any other appliance.
2. An LP cylinder not connected for use shall not be stored in the vicinity of this or any other appliance.

Contents

Safety Instructions	3
Principal Parts	4
Assembly Instructions	5
Trap Assembly	
Bug Bag Installation	
Set-Up	6-7
Charging Instructions	
Trap Placement	
Propane Tank Installation	
Instructions	8
Starting Instructions	
Shut Down Instructions	
When Not In Use	
End of Season Storage	
For Optimal Results	
Smart Technology	9
Setting Fuel-Saving Modes	
Fuel-Saving Modes	
Cold Temperature Shutdown	
Low Battery Warning	
Child Safety Lock	
Maintenance	10
Maintenance	
Propane Tank Changing Tips	
Maintenance Schedule	
Quick Clear Valve	11
Troubleshooting	12
LED Fault Codes	

Questions or Comments

Woodstream® Corporation
69 North Locust Street
Lititz, PA 17543
United States
http://www.mosquitomagnet.com/store_locator/International/

Model No.:	Executive
Serial No.:	
Type of Gas:	Propane
Manifold Pressure:	100 – 110 psi
Minimum Gas Supply Pressure:	11.0 in. WC
Input Rating:	759 Btu/Hr.
Minimum Clearances:	20–24"



How the Mosquito Magnet® Works

Mosquitoes and other biting insects use the long-range attractant carbon dioxide (CO₂) to locate people. Once in close proximity, mosquitoes use short-range attractants such as scents emitted from the skin, to determine which person they are going to bite. The Mosquito Magnet mimics a human by converting propane to CO₂, with its patented catalytic conversion technology, in combination with a short-range attractant.

Attracted by the CO₂ and short-range attractant, mosquitoes and other biting insects are drawn to the Mosquito Magnet. When they reach the trap, the insects are vacuumed into a bug bag by our patented Counterflow Technology™, where they dehydrate and die within 24 hours.

The Mosquito Magnet is silent and odorless. When properly placed in your yard, the **trap begins working immediately. Noticeable results can be achieved in 7 to 10 days.** To greatly reduce your biting insect population, allow 4 weeks. Leave the Mosquito Magnet out all summer long, to control the mosquito population in your yard.

Only biting insects are targeted including mosquitoes, no-see-ums, black flies and midges. Beneficial insects such as butterflies, bees or moths are not targeted.



Safety Instructions

Please read and follow all safety instructions and warnings.

Children and adults should be alerted to the hazards of high surface temperatures and should stay away to avoid burns or clothing ignition.

Young children should be carefully supervised when they are in the area of the heater. Keep out of reach of children.

Clothing or other flammable materials should not be hung from the heater, or placed on or near the heater.

Note: Some or all of the following required safety instructions for propane powered devices may apply to your trap. Allow trap to cool for 5 minutes before re-starting.

Warning: Improper installation, adjustment, alteration, service or maintenance can cause injury or property damage. Read the installation, operating and maintenance instructions thoroughly before installing or servicing the trap.

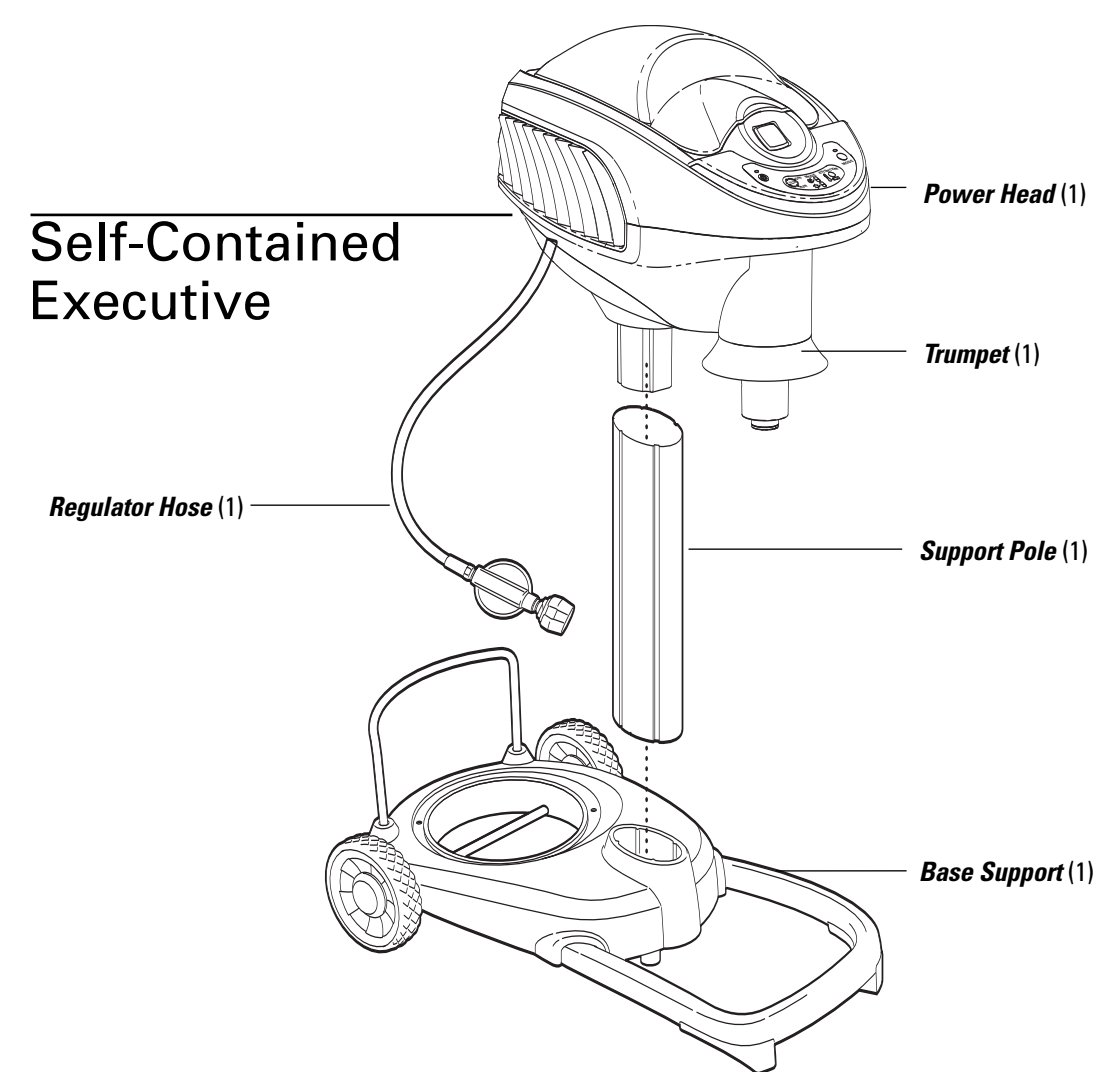
Caution: The gas pressure regulator provided with this appliance must be used. This regulator is set for an outlet pressure of 11.0 in. Water Column. The minimum inlet gas supply pressure is 11.0 in. Water Column from regulator.

- This unit is not intended to be installed in or on recreational vehicles and/or boats.
- The gas supply must be turned off at the LP-Gas supply cylinder when this appliance is not in use.
- The installation must conform with local codes or, in the absence of local codes, with the National Fuel Gas Code, ANSI Z223. 1-1998 for US and with the CAN1-B149 for Canada.
- To test for a gas leak, place soapy water around the connector, regulator, and gas hose assembly. If bubbles appear, there is a gas leak.
- Inspect the hose before each use of the unit. If it is evident there is excessive abrasion or wear, or the hose is cut, it must be replaced prior to the unit being put into operation. The replacement hose shall be that specified by the manufacturer.
- The trap is equipped with an internal spark. Failure to follow starting procedure will result in the trap not starting.
- Installation and repair should be done by a qualified service person (find service centers on www.mosquitomagnet.com). The heater should be inspected before use and at least annually by a qualified service person. More frequent cleaning may be required as necessary. It is imperative that the control compartment, burners, and circulating air passageways of the heater be kept clean.

- Maintain adequate clearances of 51 cm - 61 cm around air openings into the combustion chamber, clearances from combustible material, provisions for accessibility and for combustion and ventilating air supply. Keep the trap area clear and free from combustible materials, gasoline, and other flammable vapors and liquids. The appliance is not to be used in locations where flammable vapor or explosive dust is likely to exist.
- Do not obstruct the flow of combustion and ventilation air.
- Keep the ventilating openings of the cylinder enclosure free and clear from debris.
- Clean the trap with a water damp cloth, if necessary.
- The LP-Gas cylinder must be provided with a shut-off valve terminating in an LP-Gas supply cylinder valve outlet specified for Connection No. 510 in the Standard for Compressed Gas Cylinder Valve Outlet and Inlet Connections, ANSI/CGA-V-1-1977.
- The LP-Gas cylinder supply system must be arranged for vapor withdrawal and the cylinder must include a collar to protect the cylinder valve.
- The LP-Gas cylinder used shall be constructed and marked in accordance with the specifications for LP-Gas cylinders of the U.S. Department of Transportation (DOT) or The National Standard of Canada CAN/CSA-B339.
- The trap shall be used outdoors only in a well ventilated space and shall not be used in a building, garage, or any other enclosed area.
- The LP-Gas cylinder must be disconnected and removed from the appliance, if the appliance is stored indoors.
- LP-Gas cylinders must be stored outdoors in a well-ventilated area out of reach of children.
- Disconnected cylinders must have threaded valve plugs tightly installed and must not be stored in a building, garage, or any other enclosed area.
- The pressure regulator and hose assembly supplied with this appliance must be used for connection to the LP-Gas cylinder. Replacement pressure regulators and hose assemblies must be specified by the manufacturer.
- Avoid improper use of extension cords. Keep connections away from moisture and avoid damage to the cord.
- If the supply cord is damaged, it must be replaced by the manufacturer or its service agent or a similarly qualified person in order to avoid hazard.

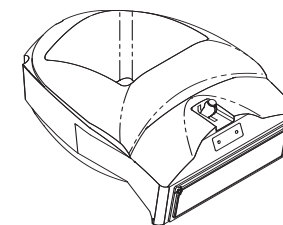
Visit www.mosquitomagnet.com

Principal Parts



Parts Included

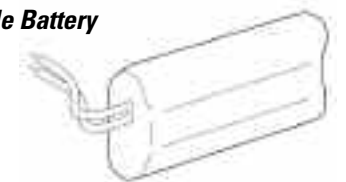
Bug Bag



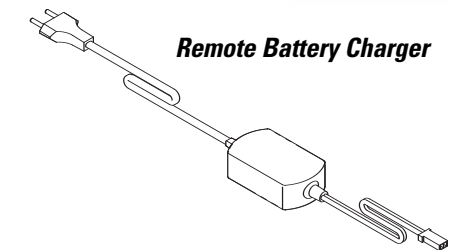
Quick Clear Adapter



Rechargeable Battery



Remote Battery Charger



MOSQUITO MAGNET

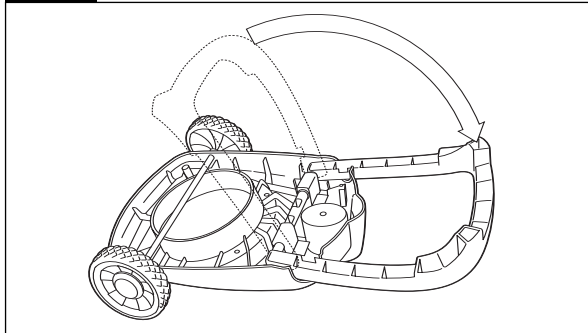


MOSQUITO MAGNET

Assembly Instructions

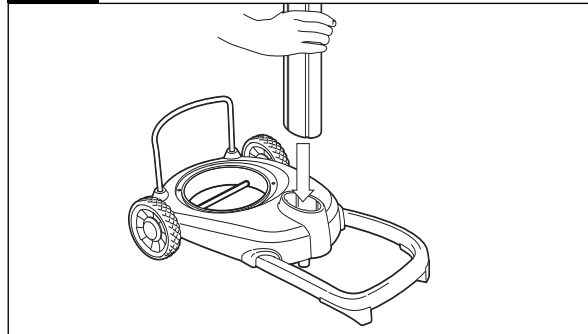
Trap Assembly:

Step 1



Place base upside down on a flat surface, unfold U-shaped support leg until it locks in place.

Step 2

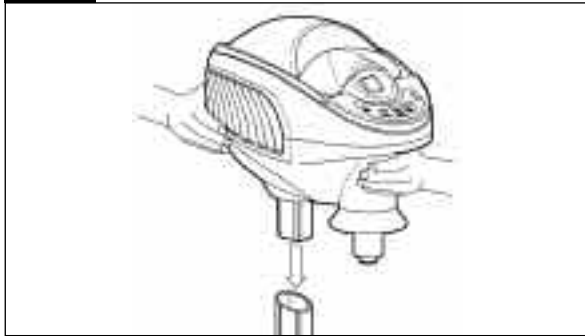


Turn base and leg assembly right-side-up and place support pole into cavity on base.

Bug Bag Installation:

To insert Bug Bag, first engage front/open section then gently push the back end down into place.

Step 3

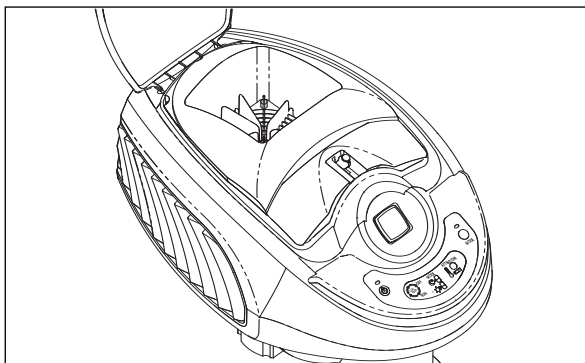


Place trap power head onto pole. Press down firmly with two hands to secure.

Assembled trap should have the front of power head/trumpet placed farthest from the wheels in the same direction as base U-shaped legs.

Step 4

The battery is not fully charged at the factory; charge the battery before the first use. Under proper usage, one charge lasts all season. See page 6 for further details.



Set-Up

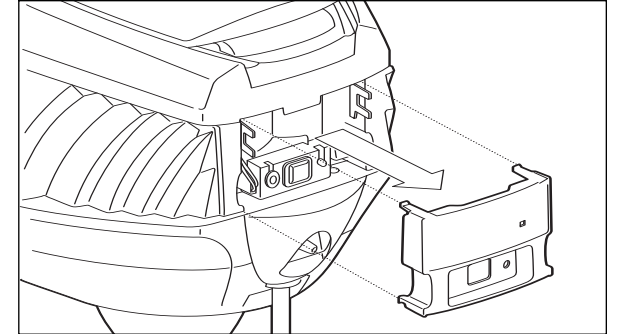
Charging Instructions

1. Remove cover panel from rear of Power Head Unit (panel snaps off).
2. The Battery Charger is not rated for Outdoor use. The battery must be charged indoors.
3. Plug the Battery Charger into a suitable indoor outlet.
4. Connect the re-chargeable battery to the battery charger.
5. The LED on the Battery Charger will indicate Red when the battery is charging, when the battery is fully charged the LED will indicate Green. The typical charge time is less than two hours.
6. The battery charger is automatic, it will shut down to a safe maintenance charge current when the battery is fully charged. It will not over charge the battery. For maximum life, do not leave the battery on the charger for extended periods.
7. When the battery is fully charged, disconnect the battery from the battery charger and return it in the Mosquito Magnet Executive.
8. Insert and connect the re-chargeable battery.
9. Replace the cover panel on the rear of Power Head Unit.

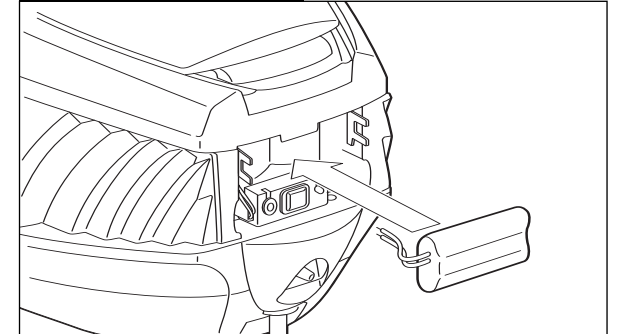
Trap Placement

1. Determine the direction of the prevailing wind. Check local weather patterns if you are unsure.
2. Stand in the center of the area you are trying to protect and look toward the prevailing wind.
3. Proper placement of the trap will be 10 meters in front of you, within 1.5 meters of ground cover (i.e. bushes, flowerbeds, tree line, marshbed). Ensure that trap is not directly against any blockades such as buildings, fences, etc.
4. It is recommended that the trap be placed in the shade.
5. Do not place trap directly above a water source (sprinklers, hose, etc.).
6. Trap must be placed on level ground to avoid tipping or uneven propane distribution.
7. For optimal trap placement in your yard, refer to the instructional CD-ROM included with your trap; or, go to www.mosquitomagnet.com to build your own yard diagram for correct trap placement.

Remove Back Panel



Insert & Connect Battery



NOTE: Make sure cover panel is replaced; trap is not weatherproof with cover panel removed.



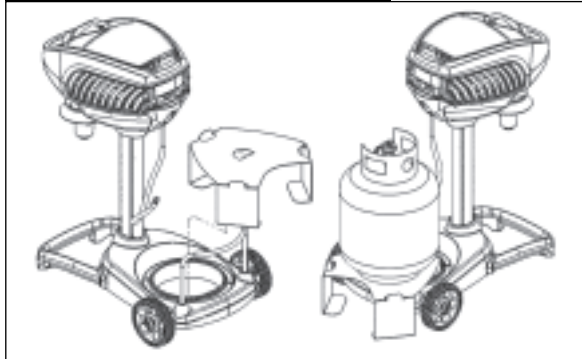
Set-Up

Propane Tank Installation

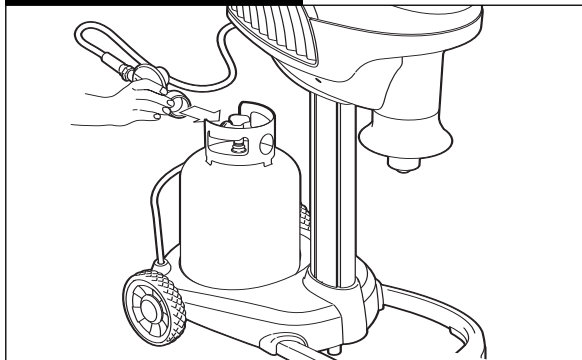
1. After trap is placed in its ideal location, place propane tank onto the base.
2. Making sure propane tank is fully closed, attach propane regulator hose to propane tank. Secure tightly by hand. **Do not use tools.**
3. Turn propane on by *slowly* turning valve counter-clockwise. Take care not to turn too quickly to avoid engagement of safety valve.

DO NOT MOVE TRAP WITH TANK ATTACHED!
 ⚠ TANK MUST BE DISCONNECTED FROM REGULATOR BEFORE TRAP IS RELOCATED TO AVOID DAMAGE TO REGULATOR AND/OR TRAP. BE ADVISED, DAMAGE CAUSED FROM FAILURE TO COMPLY WITH THIS INSTRUCTION IS NOT COVERED UNDER WARRANTY.

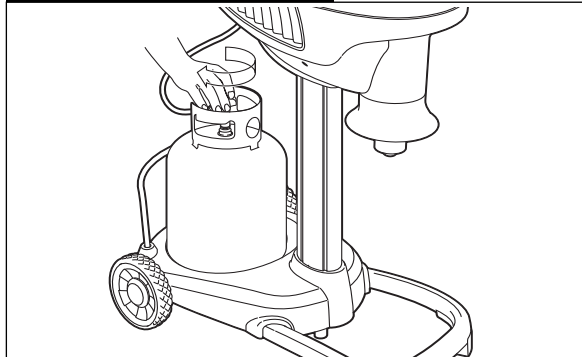
Step 1 – Propane Tank Placement



Step 2 – Attach Regulator



Step 3 – Slowly Open Valve



Instructions

****READ MANUAL BEFORE STARTING****

Charge your battery per instructions on page 6. Under proper usage, battery will last all season.

Starting Instructions

It is recommended that you read the entire manual before starting the Mosquito Magnet® trap.

1. To start the trap, press and hold the ON/OFF button for three seconds until the orange LED illuminates.
2. RUN will show on the display. WARM and the indicator arrows will also flash on the display. The LED (indicator above ON/OFF button) will be orange.
3. The fan will ramp from low speed to high speed after approximately 3 minutes.
4. The display will flash WARM and the LED will be orange for approximately 15-25 minutes while the trap is warming up.
5. After the trap reaches operating temperature, the LED will be green and WARM will disappear from the display.

Shut Down Instructions

To turn off the trap, press the ON/OFF button. RUN will show on the display. COOL and the indicator arrows will flash on the display. The LED will be green. After a two minute cool down, the fan will stop, the LED will turn off and OFF will show on the display.

When Not In Use

If the unit is not in use, the gas must be turned off at the supply cylinder. Storage of this unit indoors is permissible only if the cylinder is disconnected and removed. Cylinders must be stored outdoors, out of reach of children and must not be stored in a building, garage or any other enclosed area.

End of Season Storage

Refer to the shut down instructions above prior to closing the propane tank valve and disconnecting the regulator. Close the propane tank valve and disconnect regulator. Also disconnect the battery but make sure not to remove battery from trap.

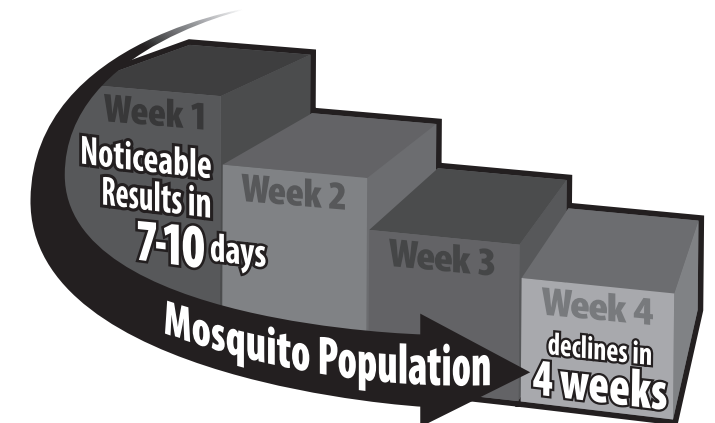
Any open Mosquito Magnet® attractant should be removed and discarded. See attractant label for disposal instructions. The bug bag should also be discarded prior to storing the trap.

STORAGE: The trap should be stored indoors in a garage or shed in the off-season. Cover trumpet to prohibit insects from nesting. Cover unit with trap cover or with a tarp and secure tightly at the bottom to keep out dust, spider webs and other debris.

NOTE: It is recommended that you use the Quick Clear adapter before seasonal storage to avoid build-up of contaminants during off-season. (see page 11).

For Optimal Results Run 24 hours/day

- Your trap will begin capturing immediately with significant reduction in the mosquito population in 7-10 days. Allow 4 weeks to significantly reduce the mosquito population in your yard.



- Allow trap to cool for 5 minutes before re-start.
- Never spray insecticide in or around trap.
- Trap can be left running in the rain, but do not place trap directly above a water source (sprinklers, hose, etc.).
- If using lime or fertilizer compounds, be sure to shut down the trap first to prevent dust or fine mist from being drawn into trap and clogging bug bag.

Warning: Improper installation, adjustment, alteration, service or maintenance can cause injury or property damage. Read the installation, operating and maintenance instructions thoroughly before installing or servicing this equipment.

Caution: The gas pressure regulator provided with this appliance must be used. This regulator is set for an outlet pressure 11.0 in. water column.

The gas supply must be turned off at the LP-Gas supply cylinder when this appliance is not in use.



Smart Technology

Setting Fuel-Saving Modes

The trap has the option to run 24/7 or in one of 4 Fuel-saving Modes which can extend the life of your propane tank. The propane tank will last 21 days by operating your trap 24/7, which is recommended for the optimal catch rate. Please see the chart below to see the corresponding propane usage expended based on the mode of operation.

Operation Fuel-Saving	Tank Life*	Shut Down Day Time	Shut Down Night Time
Mode 1	22 days	1 Hr	1 Hr
Mode 2	24 days	2 Hrs	2 Hrs
Mode 3	27 days	3 Hrs	3 Hrs
Mode 4	30 days	4 Hrs	4 Hrs

* Based on a 20lb. (9.07kg.) propane tank

The Fuel-Saving Mode of operation will stop the propane use in the middle of the day & during the middle of the night. Research has shown mosquito activity is typically lowest during these time frames.

Note:

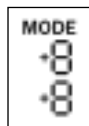
Prior to setting your Fuel-Saving modes, your trap must run 24/7 for 3 full days to allow the "Smart Technology" system to learn the cycles of day and night. This system uses a photo sensor to allow the trap to learn and adjust shut downs based on the shift in sunrise and sunset as seasons change.

Fuel-Saving Modes

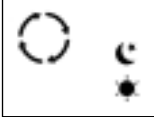
1. Press the MODE button to select the Gas Saver Mode Setting.

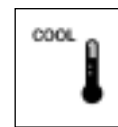


2. Every time the MODE button is pressed the Mode will cycle through 1, 2, 3, 4, Off, 1, etc.



3. Mode 1 will shut down the trap 1 hour during the middle of the day and 1 hour during the middle of the night. Modes 2, 3 and 4 correspond to 2, 3 and 4 hours of shut down time respectively.

4.  To indicate the trap is in Fuel-Saver Mode, the arrows will flash and the green LED light will be off. Additionally, the Sun element will flash during the day and the Moon element will flash during the night when the trap is in Fuel-Saving Mode. The fan will continue to operate in the trap, at a reduced speed, to prevent any escape of mosquitoes but will not capture any additional mosquitoes during this time frame.



Cold Temperature Shutdown

The trap has a temperature sensor that will not allow the trap to start or will automatically shut down the trap when the outdoor air temperature is below 50°F (10°C). Research has shown that there is very little mosquito activity during this time frame.

If the trap is running (word RUN is visible & Green LED light on) & the temperature drops below 50°F (10°C) the trap will shut down. When the trap is in Cool Down Mode the word COOL and the Thermometer icon will flash. The trap will restart when the temperature sensor indicates the air temperature is above 55°F (13°C).

If the trap is in warm up mode it will shut down when the temperature is below 50°F (10°C) but it will not restart automatically.



Low Battery Warning

The battery icon and attention will flash if the battery needs to be recharged.

Child Safety Lock

The ON/OFF button needs to be held for 3 full seconds to turn-on the trap.

Maintenance

Maintenance

If using one of our Fuel-Saving Modes, be sure to adjust the dates on the chart below (see chart on page 9 to coordinate the maintenance schedule with the mode of operation).

• 21 Day Maintenance Cycle - for Optimal Performance

- Refill propane tank. 20 lb (9.07 kg) propane tank lasts approximately 21 days with 24-hour/7-days operation.
- Replace short-range attractant cartridge. See Mosquito Magnet® attractant label for instructions.
- Empty or replace bug bag.
- Utilize the Quick Clear adapter at every tank change.
- Periodically wipe down the outside of the trap with a clean, water damp cloth.
- Charge your battery for 24 hours at the beginning of the season.

Propane Tank Changing Tips

When attaching the regulator knob to a tank after a tank change, be sure to fully tighten the regulator knob onto the tank. No need to use tools, but do turn the knob as far as possible by hand. When this is done, loosen the knob 1/4 turn, then re-tighten to maximize seal.

The purpose for this is to fully engage the regulator onto the tank. If the regulator is not fully engaged, the flow of gas may be restricted to the point where the trap will show a gas empty code. If this occurs, press the off button, close the tank valve, and remove the regulator from the tank. Re-attach the regulator and try again.

Maintenance Schedule

Note: Bug bags should be replaced when half full. You can find all your accessory needs at your local hardware or home improvement store.

	Example	Season 1	Season 2	Season 3	Season 4
Purchase Date	April 1st				
Register Warranty	April 1st				
Start Up Date	April 1st				
SERVICE:					
Seasonal Tune-Up		March 15th			
MAINTENANCE:					
Propane, Attractant & Bug Bag Change	April 21st				
Quick Clear Cartridge	April 21st				
Propane, Attractant & Bug Bag Change	May 11th				
Quick Clear Cartridge	May 11th				
Propane, Attractant & Bug Bag Change	May 31st				
Quick Clear Cartridge	May 31st				
Propane, Attractant & Bug Bag Change	June 20th				
Quick Clear Cartridge	June 20th				
Propane, Attractant & Bug Bag Change	July 10th				
Quick Clear Cartridge	July 10th				
SERVICE - WINTERIZATION					
Discard Bug Bag & Attractant					
Cover Trap Trumpet to avoid nesting insects					
Keep in garage or shed					



Easy Quick Clear Valve

⚠ **Important: Extinguish all smoking materials prior to use of Easy Quick Clear Valve. Do not stand directly behind the Quick Clear cartridge during operation.**

⚠ **Use of PROTECTIVE eyewear is recommended.**

Quick Clear is recommended for regular maintenance to remove built-up contaminants.

Recommended for use at every tank change. Also recommended for use before seasonal storage to avoid build up of contaminants during the off-season. Instructions for "Easy Quick Clear Valve" maintenance procedure shall be provided on a label attached to trap where easily visible by user.

The Easy Quick Clear Valve is a threaded knob located on the back of your trap. It should be used with the adapter included with your trap, and a threaded Quick Clear cartridge available at your local hardware or home improvement store.

- 1. Important: Shut down your trap. Let fan run until it stops.** (About 5 minutes.)
- Close the propane tank valve by turning to the "OFF" position. (Turn the tank valve clockwise.)
- Remove the protective cap from Easy Quick Clear valve located in the back of the trap.
- Hand-screw the Quick Clear adapter on to Quick Clear valve, until finger tight.
- Hand-screw the Quick Clear cartridge into the Quick Clear adapter clockwise until hand tight while holding the adapter in place. **Important:** Do not over-tighten.
- While holding the adapter in place slowly unscrew Quick Clear cartridge up to 1/4 turn only in counter clockwise direction from the Quick Clear adapter only. The strong flow of compressed air lasts approximately 45 seconds. Be sure to allow Quick Clear cartridge to run out completely. (Hissing will stop when cylinder is empty. Quick Clear cartridge will be cold to the touch.)
- Unscrew the Quick Clear cartridge to remove. Discard empty Quick Clear cartridge after use; it is not reusable or refillable.
- Unscrew the Quick Clear adapter to remove. Use caution when removing Quick Clear adapter and cartridge, as some compressed air may come out at this time. Remember to keep the Quick Clear adapter for future use.
- Replace Easy Quick Clear Valve protective cap, and proceed with normal start up of your trap.

Step 4



First hand-screw the Quick Clear adapter onto the valve.

Step 5



While holding the adapter in place, screw the Quick Clear cartridge into Quick Clear adapter.

Step 6







To start cleaning process, while holding Quick Clear Adapter in place, unscrew the Quick Clear cartridge 1/4 Turn Only.

Step 7



Unscrew the Quick Clear cartridge first, then unscrew Quick Clear adapter and discard the spent Quick Clear cartridge. Remember to keep the Quick Clear adapter for future use.

Troubleshooting

Problem	Possible Cause	Solutions
Unit won't start Unit won't stay running LCD  LED-Red LED Flashing at 7 second intervals	1. Propane tank may be empty. 2. If propane tank is new and has been newly filled it must be purged. 3. There could be a loose connection. 4. Fuel line maybe blocked by propane contaminants. 5. Regulator is not fully engaged.	1. Weigh tank and check against "empty" weight 2. Bring tank to filling location. Air may be in fuel line. Ask for tank to be purged. 3. Verify all connections. Make sure propane tank valve is fully open.
Unit won't stay Running LCD  LED-Flashing Red/Orange at 7 seconds intervals	1. Low Battery Voltage	1. Charge the battery before the first use and at the beginning of each season. The Charger LED will be Green when the battery is fully charged. 2. Check battery connection, make sure it is fully inserted and locked. 3. If a fully charge battery indicates Low Battery Voltage during the cycle, recharge or replace the battery.
Unit shut down LCD  LED-Flashing Red/Green at 7 seconds intervals	1. High Temperature	1. Turn off trap and allow to cool for one hour, then restart.
Unit shut down LCD  LED-Double Flashing Red LED at 7 seconds intervals	1. Thermister Fault	1. Contact your Local Service Provider.
Unit shut down LED - Solid Red	1. Electrical Fault	1. Contact your Local Service Provider.
Low or No Catch	1. Insects may not be out yet. 2. Trap placement issue. 3. Biting insect reproductive cycles have not yet been broken. 4. Counterflow may be disrupted.	1. Verify temperature is consistently over 50°F (10°C). 2. Follow steps in the "Trap Placement" section of your owner's manual or refer to your instructional CD-ROM included with your trap. 3. Keep trap in constant operation 24 hours/day, 7 days per week for at least 4 weeks to reduce the mosquito population. 4. Air flow may be restricted. Contact your Local Service Provider.

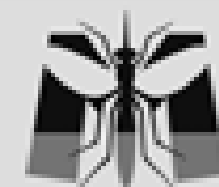


MOSQUITO MAGNET



MOSQUITO MAGNET

Manuel de l'utilisateur



MOSQUITO MAGNET

Soyez le Bienvenu

Nous vous félicitons de votre achat du Mosquito Magnet®. À présent vous pouvez recommencer à profiter du plein air chez vous.

Mosquito Magnet est le piège à moustiques N°1 en Amérique du Nord. Grâce à 18 ans de recherches et de tests, il a été prouvé scientifiquement que Mosquito Magnet réduit sensiblement le nombre de moustiques et autres insectes qui piquent de votre cour.

Mosquito Magnet est facile à utiliser. Le CD-ROM ci-joint fournit des renseignements clés pour démarrer. Dans ce manuel, vous apprendrez tout ce que vous devez savoir au sujet du fonctionnement, de l'emplacement optimum du piège, de l'entretien, du stockage et de la garantie. Les clés du succès de l'appareil sont l'emplacement du piège, l'emploi de l'attractif recommandé pour votre région et un entretien régulier. Pour une prise optimum vous devrez changer la bouteille de propane tous les 21-30 jours et vous servir de la cartouche "Quick-Clear" tous les deux changements de bouteille.

Visitez-nous en ligne à www.mosquitomagnet.com pour de plus amples renseignements concernant Mosquito Magnet ainsi que des conseils et des témoignages.

Woodstream® Corporation

69 North Locust Street
Lititz, PA 17543
United States
www.mosquitomagnet.com

Brevets :

États-Unis: No 6,145,243; 6,286,249; 6,817,140;
6,840,005; 6,848,466; 6,892,492; 7,074,830; 7,243,458;
7,281,351 et 7,293,387

Canada: No 2,265,944 et 2,322,038

Europe: No 1,011,324; 1,049,373 et 1,432,304

Australia: No 726575 et 735984

New Zealand: No 335035 et 506403

Singapore: No 64595 et 117722

S. Africa: No 97/8366 et 2005/08973

China: No ZL0281957.X

Brazil: 9711492-8 et 9908104-0

Mexico: 250623 et 250272

Autres brevets en instance

Fabriqué aux États-Unis

POUR VOTRE SÉCURITÉ

Si vous sentez une odeur de gaz :

1. Fermez l'arrivée du gaz à l'appareil.
2. Éteignez toute flamme nue.
3. Ouvrez le couvercle
4. Si l'odeur persiste, appelez immédiatement votre fournisseur de gaz ou le service des pompiers.

POUR VOTRE SÉCURITÉ

1. N'entrez pas de l'essence ni d'autres vapeurs ou liquides inflammables à proximité de cet appareil ou d'autres.
2. Une bouteille de propane non branchée ne doit pas être entreposée près de cet appareil ou de tout autre appareil.

Table des matières

Consignes de sécurité	3f-4f
Pièces principales	5f
Instructions d'assemblage	6f
Assemblage du piège	
Installation du sac à insectes	
Installation	7f-8f
Instructions de charge	
Poser le piège	
Installation de la bouteille de propane	
Instructions	9f
Instructions de mise en service	
Pour éteindre	
Quand on ne s'en sert pas	
Entreposage à la fin de la saison	
Pour obtenir les meilleurs résultats	
Technologie Smart	10f
Mettez en place les modes d'économie de carburant	
Modes d'économie de carburant	
Arrêt par temps froid	
Signal avertisseur de pile faible	
Sécurité enfant	
Entretien	11f
Entretien	
Conseils pour changer la bouteille de propane	
Programme d'entretien	
L'adaptateur Quick-Clear	12f
Dépannage	13f
Voyants LED et codes d'erreur	

Questions ou commentaires

Woodstream® Corporation
69 North Locust Street
Lititz, PA 17543
United States
http://www.mosquitomagnet.com/store_locator/International/

Modèle N°:	Executive
Numéro de série:	
Type de gaz:	Propane
Collecteur d'admission: Pression minimum d'alimentation du gaz:	100 – 110 psi
Consommation thermique:	28 mbar
Espace libre minimum:	759 BTU/heure
	De 51 à 61 cm



Comment le Mosquito Magnet® fonctionne-t-il

Les moustiques et autres insectes qui piquent se servent du dioxyde de carbone (CO₂) comme attractif à longue portée pour localiser les gens. Quand ils sont tout près, ils utilisent des attractifs à courte portée tels que les odeurs émises par la peau, pour savoir qui mordre. Le Mosquito Magnet imite l'être humain en convertissant le propane en CO₂, à l'aide de la technologie brevetée de conversion catalytique, combinée avec un attractif à courte portée.

Attirés par le CO₂ et l'attractif à courte portée, les moustiques et autres insectes qui piquent s'approchent du Mosquito Magnet. Quand ils atteignent le piège, les insectes sont aspirés dans un sac par notre technologie brevetée "Counterflow™" (à contrecourant), où ils se déshydratent et meurent en 24 heures.

Le Mosquito Magnet est silencieux et sans odeurs. Placé correctement dans votre cour, le piège se met immédiatement à fonctionner. On observera des résultats évidents en 7 à 10 jours. Il faudra compter 4 semaines pour réduire sensiblement votre population d'insectes qui piquent. Laissez le Mosquito Magnet dehors pendant tout l'été, afin de contrôler la population de moustiques dans votre cour.

Il est seulement question des insectes qui piquent, y compris moustiques, moucherons, mouches noires et moucherons piquants. Les insectes utiles, tels que les papillons, abeilles ou lépidoptères ne sont pas concernés.



Consignes de sécurité

Veillez lire et observer toutes les consignes de sécurité et avertissements.

Les enfants et les adultes doivent être avertis des dangers liés aux températures élevées et ne devraient pas s'en approcher afin d'éviter toutes brûlures ou que les vêtements ne s'enflamment.

Il faut surveiller attentivement les jeunes enfants à proximité du réchauffeur. Gardez-le hors de la portée des enfants.

Ne pas suspendre de vêtements ou autres matériaux inflammables au-dessus du réchauffeur ni les placer dessus ou à proximité.

Note: Certaines ou toutes les consignes suivantes pour les dispositifs fonctionnant au propane peuvent s'appliquer à votre piège. Laissez le piège refroidir pendant 5 minutes avant de le remettre en marche.



Avertissement: Toute installation, modification, ajustement, service ou entretien incorrect peut causer des blessures ou des dommages matériels. Lisez bien les instructions d'installation, d'utilisation et d'entretien avant d'installer ou d'entretenir le piège.



Attention: Utilisez uniquement le régulateur de pression du gaz fourni avec cet appareil. Ce régulateur est réglé pour une pression de sortie de 28 mbar. La pression d'alimentation minimale du gaz en entrée est de 28 mbar du régulateur.

- Cet appareil n'est pas destiné à être installé sur des véhicules de plaisance et/ou des bateaux.
- Fermez le gaz au niveau de la bouteille de propane quand l'appareil n'est pas employé.
- L'installation doit se conformer aux codes locaux ou, en leur absence, au code national du gaz, ANSI Z223. 1 – 1998 pour les États-Unis et CAN1-B149 pour le Canada.
- On détecte une fuite de gaz en plaçant de l'eau savonneuse autour du connecteur, régulateur, et du flexible de raccordement du gaz. Si des bulles apparaissent, il y a une fuite.
- Examinez le flexible avant chaque emploi de l'appareil pour détecter des signes évidents d'abrasion, d'usure ou de coupure. Si c'est le cas, le flexible devra être remplacé avant que l'appareil soit mis en marche. Le flexible de rechange doit être celui qui est spécifié par le fabriquant.
- Le piège est équipé d'un dispositif interne d'allumage par étincelles. Si vous n'observez pas la procédure de démarrage, le piège ne se mettra pas en marche.
- L'installation et les réparations doivent être effectuées par du personnel qualifié (la liste des centres de service se trouve à www.mosquitomagnet.com). Le réchauffeur doit être inspecté avant utilisation et au moins une fois par an par un technicien qualifié. Il est possible que de plus fréquents nettoyages soient nécessaires. Il est essentiel que le compartiment de contrôle, les brûleurs et les passages de circulation d'air du réchauffeur soient toujours propres.

Consignes de sécurité

- Maintenez des espaces libres suffisants de 51 à 61 cm autour des ouvertures prévues pour le passage de l'air allant à la chambre de combustion et autour des matériaux combustibles. Assurez-vous que les ouvertures d'air soient accessibles et qu'il y ait suffisamment d'air pour l'aération et la combustion. Veillez à ce qu'il n'y ait pas de matériaux combustibles, d'essence, et autres vapeurs et liquides inflammables à proximité du piège. L'appareil ne doit pas s'employer là où pourraient se trouver des vapeurs inflammables ou des poussières explosives.
- N'obstruez pas le flux de combustion et d'air nécessaire à la ventilation.
- Gardez les ouvertures prévues pour la ventilation de l'enceinte du cylindre dégagées et sans aucun débris.
- Nettoyez le piège à l'aide d'un chiffon humidifié à l'eau, si nécessaire.
- La bouteille de gaz doit être équipée d'un robinet d'arrêt se terminant par un robinet d'alimentation en gaz spécifié pour le branchement n° 510 du « Standard for compressed Gas Cylinder Valve Outlet and Inlet Connections » (Norme pour les raccordements des vannes d'arrivée et sortie des bouteilles de gaz comprimé), ANSI/CGA-V-1-1977.
- Le système d'alimentation de la bouteille à gaz doit être installé afin de faciliter la sortie des vapeurs et doit inclure un col de protection pour la valve.
- La bouteille utilisée doit être fabriquée et marquée conformément à la réglementation sur les bouteilles de gaz du « US Department of Transportation - (DOT) », (ministère américain du transport) ou des normes nationales canadiennes CAN/CSA-B339, ou des normes Européennes.
- Le piège ne sera utilisé que dehors dans un endroit bien aéré et non pas dans un bâtiment, garage ou tout autre espace fermé.
- La bouteille de gaz doit être débranchée et retirée de l'appareil avant entreposer ce dernier à l'intérieur.
- Les bouteilles de gaz doivent être entreposées dehors, dans un endroit bien aéré et hors de la portée des enfants.
- Faites en sorte que les bouteilles de gaz débranchées soient munies de bouchons filetés bien installés et qu'elles ne soient pas entreposées dans un bâtiment, garage ou autre espace fermé.

- Utilisez uniquement le régulateur de pression et le flexible de raccordement fournis avec cet appareil pour le raccordement à la bouteille de gaz. Utilisez uniquement le régulateur et le flexible de rechange spécifiés par le fabricant.
- Évitez l'emploi incorrect des rallonges. Ne laissez pas les connexions à l'humidité et évitez que la rallonge soit endommagée;
- Si le cordon d'alimentation est endommagé, il doit être remplacé par le fabricant, son agent agréé ou une autre personne qualifiée pour éviter tout danger.

Visitez www.mosquitomagnet.com



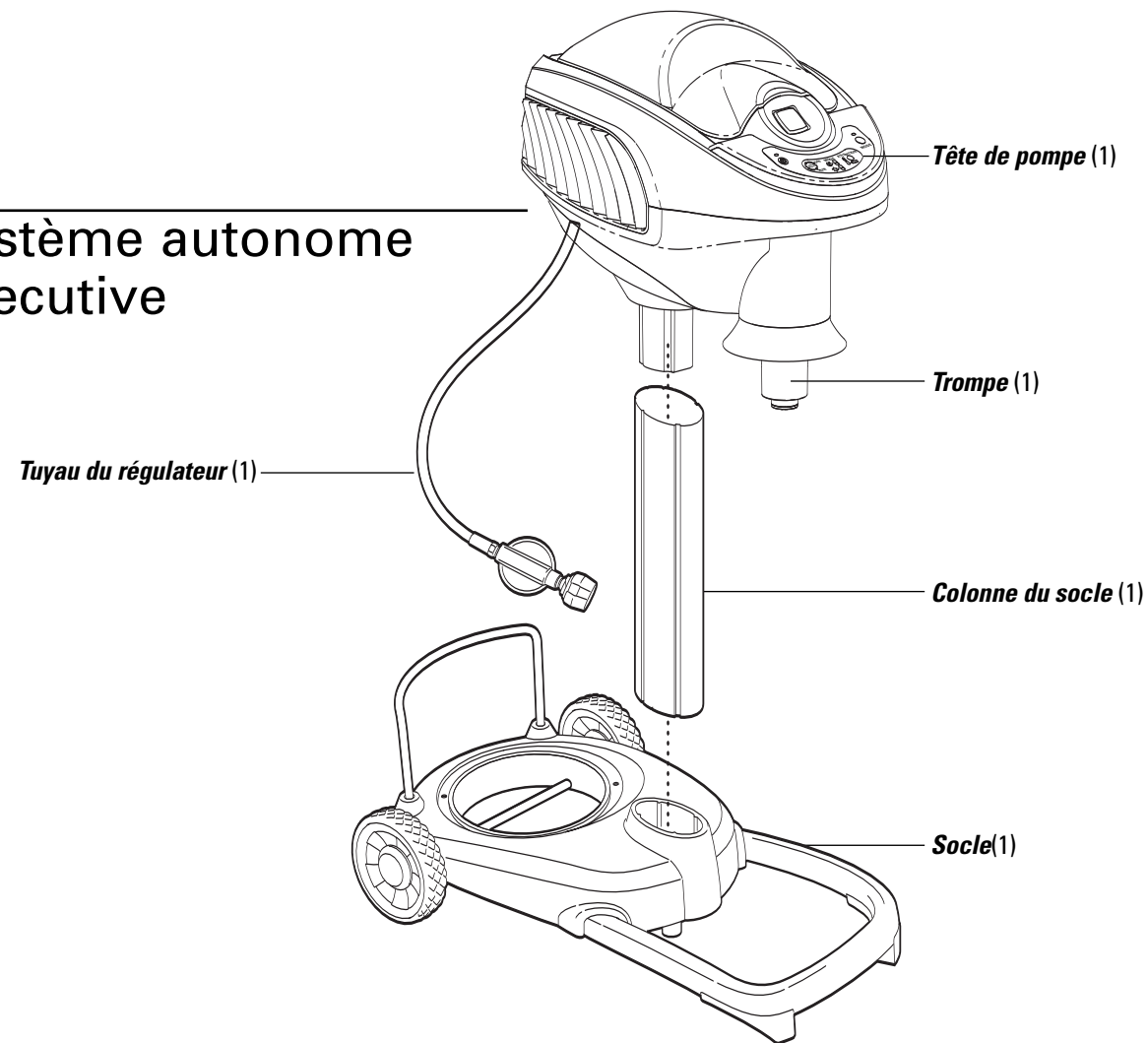
MOSQUITO MAGNET



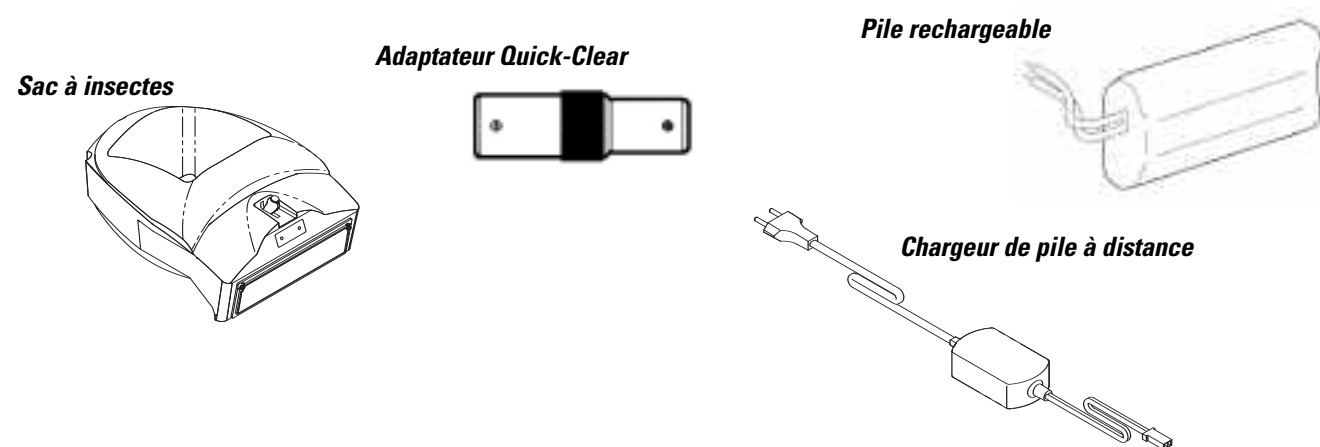
MOSQUITO MAGNET

Pièces principales

Système autonome Executive



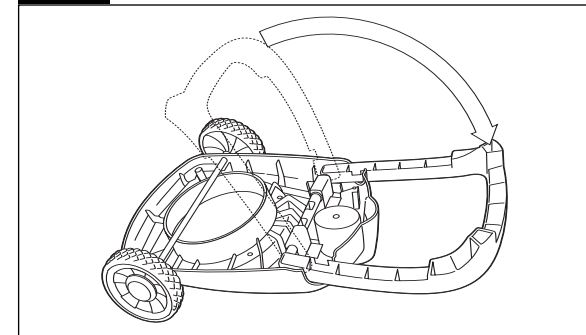
Pièces incluses



Instructions d'assemblage

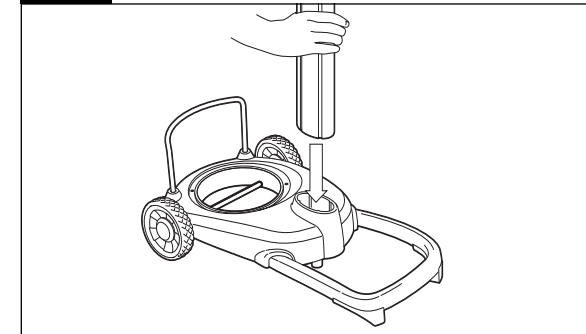
Assemblage du piège :

Étape 1



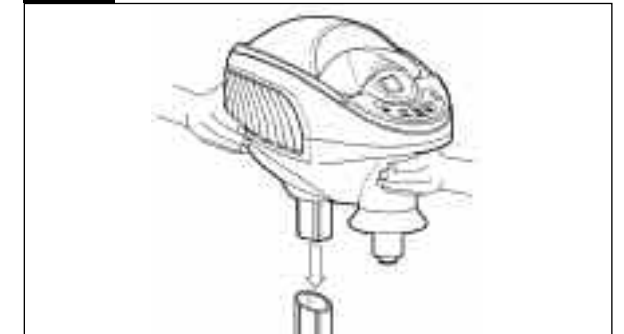
Placez le socle à l'envers sur une surface plane, déployez le pied support en U jusqu'à ce qu'il s'emboîte.

Étape 2



Mettez l'ensemble socle et pied sur l'endroit et placez la colonne dans l'orifice du socle.

Étape 3



Placez la tête de pompe piège sur la colonne. Appuyez fermement des deux mains pour qu'elle soit bien en place.

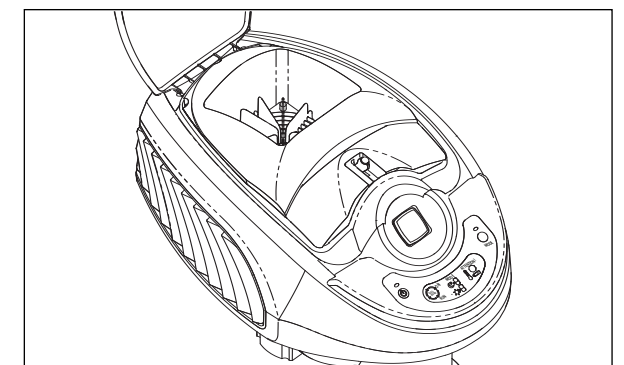
Quand le piège est assemblé, le devant de la tête de pompe/la trompe devrait se trouver du côté opposé aux roues et du même côté que le socle en U.

Étape 4

La pile n'est pas complètement chargée en usine; chargez-la avant la première utilisation. Soumise à un usage normal, une charge dure toute la saison. Voir page 67f pour de plus amples détails.

Installation du sac à insectes :

Pour insérer le sac à insectes, positionnez d'abord la partie avant/ouverte, puis enfoncez doucement la partie arrière pour la mettre en place.



MOSQUITO MAGNET



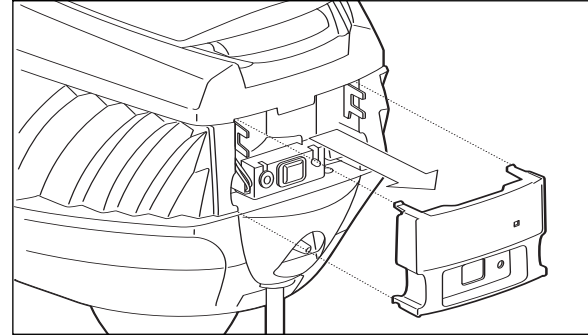
MOSQUITO MAGNET

Installation

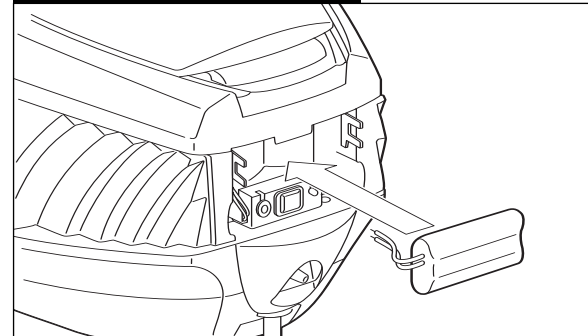
Instructions de charge

1. Enlevez la plaque du couvercle à l'arrière de l'ensemble moteur (le couvercle s'ouvre d'un coup sec).
2. Le chargeur de pile n'est pas prévu pour un usage à l'extérieur. La pile doit être chargée à l'intérieur.
3. Branchez le chargeur de pile à une prise de courant appropriée, à l'intérieur.
4. Connectez la pile rechargeable au chargeur de pile.
5. Le voyant DEL du chargeur sera rouge lors du chargement; une fois que la pile sera complètement chargée, le voyant DEL deviendra vert. Le chargement dure normalement moins de deux heures.
6. Le chargeur de pile est automatique. Il se limitera à une charge sans risques une fois que la pile sera complètement chargée. Il ne surchargera pas la pile. Pour une durée maximum, ne pas laisser la pile dans le chargeur pendant des périodes prolongées.
7. Une fois que la pile sera complètement chargée, déconnectez-la du chargeur et replacez-la dans le Mosquito Magnet Executive.
8. Insérez et connectez la pile rechargeable.
9. Remplacez la plaque de couvercle à l'arrière de l'ensemble moteur.

Enlevez la plaque arrière



Insérez et connectez la pile



REMARQUE: Assurez-vous que la plaque du couvercle est remise en place; le piège n'est pas imperméable à l'eau sans la plaque de couvercle.

Poser le piège

1. Déterminez la direction du vent dominant. Renseignez-vous sur les tendances de la météo de votre région si vous n'êtes pas sûr.
2. Tenez-vous au centre de la zone que vous voulez protéger et tournez-vous dans la direction du vent dominant.
3. Le bon endroit où mettre le piège sera 10 m devant vous, dans un rayon de 1,5 m de couverture végétale (c'est-à-dire de buissons, plates-bandes, arbres); Faites en sorte que le piège ne se trouve pas tout près de blocages tels que des bâtiments, des clôtures, etc.
4. Nous recommandons de placer le piège à l'ombre.
5. Ne pas placer le piège directement au-dessus d'une source d'eau (aspersoirs, tuyaux, etc.)
6. Le piège doit être placé sur une surface plane afin d'éviter qu'il se renverse ou que l'alimentation en gaz soit inégale.



7. Pour placer le piège de façon optimale dans votre cour, consultez le CD-ROM que nous avons inclus avec votre piège; ou rendez-vous sur www.mosquitomagnet.com pour construire le schéma de votre cour afin d'y placer correctement le piège.

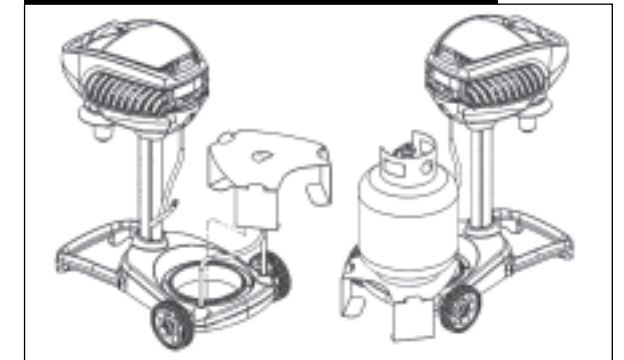
Installation

Installation de la bouteille de propane

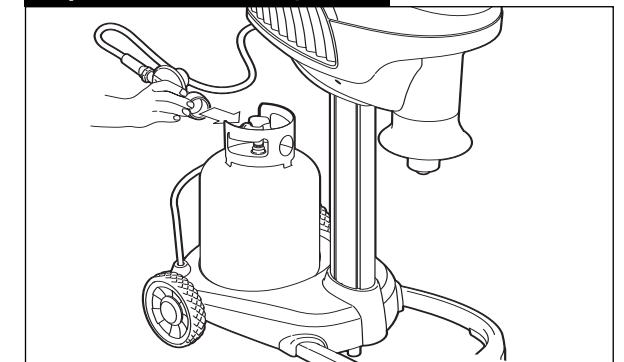
1. Après avoir placé le piège dans l'endroit idéal, il faut encastrer la bouteille de propane dans le châssis.
2. Assurez-vous que la bouteille soit bien fermée, attachez le tuyau régulateur de propane à la bouteille. Bien serrer à la main. **Ne pas utiliser d'outils.**
3. Ouvrez le propane en tournant lentement le robinet de la bouteille dans le sens inverse à celui des aiguilles d'une montre. Prenez soin de ne pas le tourner trop vite pour ne pas enclencher la valve de sécurité.

⚠ NE PAS DÉPLACER LE PIÈGE LORSQUE LA BOUTEILLE EST BRANCHÉE!
LA BOUTEILLE DOIT ÊTRE DÉBRANCHÉE DU RÉGULATEUR AVANT QUE LE PIÈGE SOIT DÉPLACÉ POUR ÉVITER D'ENDOMMAGER LE RÉGULATEUR ET/OU LE PIÈGE. SACHEZ QUE LES DÉGÂTS CAUSÉS PAR LE NON RESPECT DE CES INSTRUCTIONS NE SERONT PAS COUVERTS PAR LA GARANTIE.

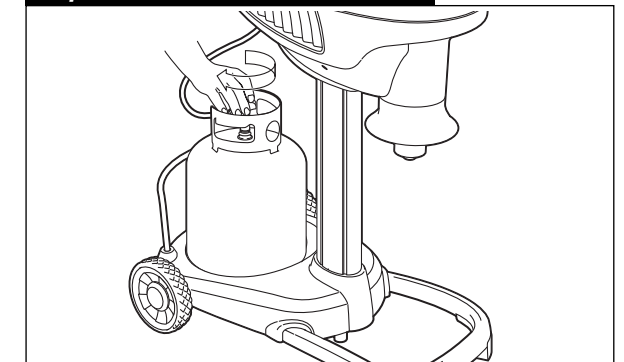
Étape 2 – Poser de la bouteille de propane



Étape 2 – Brancher le régulateur



Étape 3 – Ouvrir lentement le robinet



MOSQUITO MAGNET



MOSQUITO MAGNET

Instructions

****LIRE LE MANUEL AVANT DE COMMENCER****

Chargez la pile selon les instructions à la page 7f. Soumise à un usage normal, une charge durera toute la saison.

Instructions de mise en service

Nous recommandons que vous lisiez le manuel tout entier avant de mettre en marche le piège.

1. Pour démarrer le piège, appuyez sur le bouton ON/OFF (marche/arrêt) et maintenez-le appuyé pendant trois secondes jusqu'à ce que le voyant orange DEL s'illumine.
2. RUN (en marche) s'affichera. WARM (chaud) et les flèches d'indication vont également clignoter à l'affichage. L'indicateur DEL (au-dessus du bouton ON/OFF) sera orange.
3. Le ventilateur passera de la vitesse réduite à la grande vitesse en 3 minutes environ.
4. L'affichage indiquera WARM (chaud) et le voyant DEL sera orange pendant 15 à 25 minutes environ pendant l'échauffement du piège.
5. Une fois que le piège aura atteint la température normale de fonctionnement, le voyant DEL sera vert et WARM disparaîtra de l'affichage.

Pour éteindre

Pour éteindre le piège, appuyez sur le bouton ON/OFF (marche/arrêt). RUN (en marche) s'affichera. COOL (refroidissement) et les flèches d'indication clignoteront à l'affichage. Le voyant DEL sera vert. Au bout d'une période de refroidissement de deux minutes, le ventilateur s'arrêtera, le voyant DEL s'éteindra et OFF (arrêt) s'affichera.

Quand on ne s'en sert pas

Lorsque vous n'utilisez pas l'appareil, fermez le gaz au niveau de la bouteille. Il n'est permis d'entreposer l'appareil à l'intérieur que si la bouteille a été débranchée et retirée. Entrez les bouteilles dehors, hors de la portée des enfants; ne pas les placer dans un bâtiment, garage ou tout autre espace fermé.

Entreposage à la fin de la saison

Consultez le mode d'emploi d'arrêt ci-dessus avant de fermer le robinet de la bouteille de propane et de débrancher le régulateur. Fermez le robinet et débranchez le régulateur. Déconnectez également la pile mais assurez-vous bien de ne pas la retirer du piège.

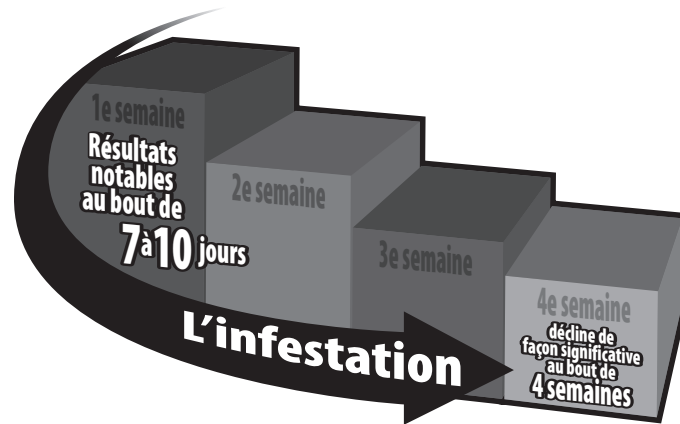
Tous les attractifs Mosquito Magnet® ouverts devraient être retirés et jetés. Voir les instructions d'élimination sur l'étiquette de l'attractif. Le sac à insectes devrait aussi être éliminé avant d'entreposer le piège.

ENTREPOSAGE: Hors saison, le piège doit être entreposé à l'intérieur, dans un garage ou une remise. Couvrez la trompe pour empêcher que les insectes s'y reproduisent. Couvrez l'appareil avec un couvercle de piège disponible à www.mosquitomagnet.com ou avec une bâche que vous attacherez solidement en bas pour empêcher toute accumulation de poussière, de toiles d'araignées et autres débris.

REMARQUE: Il est recommandé d'utiliser la cartouche de nettoyage Quick-Clear avant l'entreposage saisonnier afin d'éviter

Afin d'obtenir les meilleurs résultats, laissez en marche 24 heures sur 24

- Votre piège se mettra immédiatement à capturer les moustiques, ce qui se traduira par une réduction importante de leur population dans votre cour d'ici 7 à 10 jours. Il faudra compter 4 semaines pour réduire de façon significative le nombre de moustiques dans votre espace de vie.



- Laissez le piège refroidir pendant 5 minutes avant de le remettre en marche.
- Ne vaporisez jamais d'insecticide dans le piège ou autour.
- On peut laisser le piège en marche quand il pleut, mais ne le placez pas directement au-dessus d'une source d'eau (asperseurs, tuyaux d'arrosage, etc.)
- Si vous vous servez de chaux ou d'engrais, assurez-vous d'éteindre le piège d'abord, afin que la poussière ou le brouillard fin ne soient pas aspirés dans le piège, ce qui boucherait le sac à insectes.

Avertissement: Toute installation, modification, ajustement, service ou entretien incorrect peut causer des blessures ou des dommages matériels. Lisez bien les instructions d'installation, d'utilisation et d'entretien avant d'installer ou d'entretenir cet appareil.

Attention: Le régulateur de pression du gaz fourni avec l'appareil doit être utilisé. Ce régulateur est réglé pour une pression de 28 mbar.

L'alimentation en gaz doit être coupée à la bouteille de propane quand l'appareil n'est pas utilisé.

Technologie Smart

Mettez en place les modes d'économie de carburant

Le piège peut fonctionner 24 heures sur 24 et 7 jours sur 7 ou selon l'un des 4 modes d'économie de carburant pouvant prolonger la vie de votre bouteille de propane. Cette bouteille dure 21 jours si votre piège fonctionne 24 heures sur 24 et 7 jours sur 7, ce qui est recommandé afin d'attraper le maximum de moustiques. Veuillez consulter le graphique ci-dessous pour voir la quantité de propane utilisée en fonction du mode de fonctionnement.

Économie d'essence lors du fonctionnement	Durée utile de la bouteille*	Arrêt de jour	Arrêt de nuit
Mode 1	22 jours	1 heure	1 heure
Mode 2	24 jours	2 heures	2 heures
Mode 3	27 jours	3 heures	3 heures
Mode 4	30 jours	4 heures	4 heures

* En fonction d'une bouteille de propane de 20 lb (9,07 kg)

Le mode de fonctionnement en mode économique arrête le propane à mi-journée et au milieu de la nuit. La recherche a montré que l'activité des moustiques est généralement au plus bas pendant ces périodes.

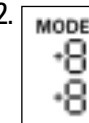
Remarque: Avant de mettre en place vos modes d'économie en carburant, votre piège doit fonctionner 24 heures sur 24 et 7 jours sur 7 pendant 3 jours entiers, afin de permettre au système intelligent «Smart Technology» d'apprendre les cycles du jour et de la nuit.

Modes d'économie de carburant

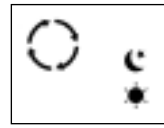
1. Appuyez sur le bouton MODE pour sélectionner le réglage en mode économique.

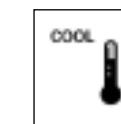


2. Chaque fois qu'on appuie sur le bouton MODE, l'appareil passe par les différents modes: 1, 2, 3, 4, Off (arrêt), 1, etc.



3. En mode 1 le piège s'arrête pendant 1 heure au milieu de la journée et pendant 1 heure au milieu de la nuit. Les modes 2, 3 et 4 correspondent à 2, 3 et 4 heures d'arrêt respectivement.

4.  Pour indiquer que le piège est en mode d'économie de carburant, les flèches clignotent et le voyant LED vert est éteint. En outre l'élément Soleil clignote pendant la journée et l'élément Lune clignote pendant la nuit lorsque le piège est en mode d'économie de carburant. Le ventilateur continuera à fonctionner dans le piège, à vitesse réduite, afin d'empêcher que les moustiques ne s'échappent, mais ne capturera pas d'autres moustiques pendant cette période.



Arrêt par temps froid

Le piège a un détecteur de température qui ne lui permet pas de démarrer et qui l'arrête automatiquement quand la température extérieure est au-dessous de 50°F (10°C). La recherche a montré qu'il y a très peu de moustiques pendant cette période.

Si le piège est en marche (le mot RUN est alors visible et le voyant LED est vert) et si la température descend en dessous de 50°F (10°C) le piège s'arrête. Quand le piège est en mode refroidissement, le mot COOL et l'icône du thermomètre clignotent. Le piège redémarre quand le capteur thermique indique que la température de l'air ambiant est au-dessus de 55°F (13°C).

Si le piège est en mode d'échauffement, il s'arrête quand la température est au-dessous de 50°F (10°C), mais il ne redémarre pas automatiquement.



Signal avertisseur de pile faible

L'icône de la pile et le mot ATTENTION clignotent si la pile doit être rechargée.

Sécurité enfant

Appuyez sur le bouton ON/OFF (marche/arrêt) pendant 3 secondes pour mettre le piège en marche.



MOSQUITO MAGNET



MOSQUITO MAGNET

Entretien

Entretien

Si vous utilisez l'un des modes d'économie de carburant, assurez-vous bien de définir les dates sur le tableau ci-dessous (voir le graphique page 10f pour coordonner le programme d'entretien avec le mode de fonctionnement).

• Cycle d'entretien sur 21 jours pour une performance optimale

- Remplacez le propane. (Le propane dure à peu près 30 jours pour une opération de 24 heures sur 24 et 7 jours sur 7.)
- Remplacez la cartouche d'attractif à courte portée. Voir les instructions sur l'étiquette de l'attractif Mosquito Magnet.
- Videz ou remplacez le sac à insectes.
- Périodiquement, essuyez la partie externe du piège à l'aide d'un chiffon propre et humide.
- Chargez votre pile pendant 24 heures en début de saison.

Conseils pour le changement de la bouteille de propane

Lorsque vous raccordez le bouton du régulateur à une bouteille après l'avoir changée, assurez-vous bien de resserrer complètement le bouton sur la bouteille. Il n'est pas nécessaire d'employer des outils, mais vous devez le tourner à la main autant que possible. Ensuite, relâchez le bouton d'un quart de tour, puis resserrez-le pour bien fermer.

L'objectif de cette opération est de raccorder complètement le régulateur à la bouteille. Si le régulateur n'est pas tout à fait raccordé, le flux de gaz pourrait être restreint jusqu'au point où le piège indiquerait que la bouteille est vide. Si c'est le cas, appuyez sur le bouton « OFF » (arrêt), fermez le robinet de la bouteille, et retirez le régulateur. Ensuite raccordez à nouveau le régulateur et réessayez.

REMARQUE : Remplacez les sacs à insectes lorsqu'ils sont à moitié pleins. Vous pouvez trouver les accessoires nécessaires à www.mosquitomagnet.COM ou chez votre concessionnaire local de Mosquito Magnet ou au centre de service.

Programme d'entretien					
	Exemple	Saison 1	Saison 2	Saison 3	Saison 4
Date d'achat	4/1				
Enregistrement de la garantie	4/1				
Date de démarrage	4/1				
SERVICE:					
Mise au point saisonnière		15/3			
ENTRETIEN:					
Propane, attractif et changement du sac à insectes	21/4				
Cartouche Quick-Clear	21/4				
Propane, attractif et changement du sac à insectes	11/5				
Cartouche Quick-Clear	11/5				
Propane, attractif et changement du sac à insectes	31/5				
Cartouche Quick-Clear	31/5				
Propane, attractif et changement du sac à insectes	20/6				
Cartouche Quick-Clear	20/6				
SERVICE - PRÉPARATION POUR L'HIVER					
Jeter le sac à insectes et l'attractant					
Couvrir la trompe du piège pour éviter que les insectes ne s'y reproduisent					
Entreposer dans un garage ou une remise					

L'adaptateur Quick-Clear

⚠ **Important :** Éteignez toute source de flammes avant d'utiliser l'adaptateur Quick-Clear. Ne vous tenez pas directement derrière l'adaptateur Quick-clear pendant son utilisation.

⚠ **L'utilisation de lunette de protection est recommandée.**

L'utilisation de l'adaptateur Quick-Clear qui permet de nettoyer les impuretés de la valve est uniquement recommandée lors de l'entretien périodique.

Vous devriez utiliser l'adaptateur Quick-Clear lors de la mise en service initiale, toutes les 2 mois (soit après 2 changements de bouteille) et enfin lors de la mise en hivernage. Le mode d'emploi de l'adaptateur Quick-Clear doit être attaché sur l'appareil de façon lisible pour l'utilisateur.

L'adaptateur Quick-Clear est un boulon avec pas de vis de couleur doré situé à l'arrière de la machine. Il doit être utilisé avec l'adaptateur fourni avec votre piège et une cartouche de CO₂ spécifique Quick-Clear, disponible chez votre revendeur.

1. **Important :** Éteignez votre piège. Laissez le ventilateur s'arrêter par lui-même. (À peu près 5 minutes.)
2. Fermez votre bouteille de gaz, en tournant la valve sur la position off. (Tournez la valve dans le sens des aiguilles d'une montre.)
3. Enlevez le bouchon protecteur qui se situe sur la valve Quick-Clear se trouve à l'arrière du piège.
4. Vissez à la main l'adaptateur Quick-Clear sur la valve Quick-Clear.
5. Vissez à la main dans le sens des aiguilles d'une montre la cartouche de CO₂ dans l'adaptateur Quick-Clear tout en maintenant en place avec votre autre main l'adaptateur. **Important :** ne serrez pas trop fort.
6. Tout en maintenant l'adaptateur, dévissez doucement d'1/4 de tour la cartouche de CO₂ dans le sens contraire des aiguilles d'une montre. Le flux de CO₂ dure approximativement 45 secondes. Assurez vous que la cartouche de CO₂ soit bien complètement vide. (Le chuintement est terminé, et la cartouche est très froide au touché.)
7. Dévissez la cartouche, et jetez-la. Elle n'est pas réutilisable.
8. Pour enlever l'adaptateur Quick-Clear, dévissez-le. Faites attention un peu de CO₂ peut s'échapper à ce moment là. Souvenez vous de garder l'adaptateur pour des opération de maintenance.
9. Remettez le bouchon protecteur sur la valve Quick-Clear, et essayez de démarrer normalement votre piège.

Étape 4



Tout d'abord, vissez à la main l'adaptateur Quick-Clear sur la valve.

Étape 5



Tout en maintenant l'adaptateur en place, vissez la cartouche Quick-Clear sur l'adaptateur.

Étape 6



Pour commencer le processus de nettoyage, tout en maintenant l'adaptateur Quick-Clear en place, dévissez la cartouche Quick-Clear **seulement d'un quart de tour.**





Étape 7



Dévissez d'abord la cartouche Quick-Clear, puis dévissez l'adaptateur et jetez la cartouche usagée. N'oubliez pas de conserver l'adaptateur Quick-Clear pour vous en servir à nouveau.



Dépannage

Problème	Cause possible	Solutions
<p>L'appareil ne démarre pas L'appareil cesse de fonctionner LCD  DEL-le voyant DEL rouge fonctionne à des intervalles de 7 secondes</p>	<ol style="list-style-type: none"> 1. La bouteille de propane est peut-être vide. 2. Si la bouteille de propane est neuve et vient d'être remplie, elle doit être purgée. 3. Il y a peut-être un mauvais contact. 4. Le tuyau d'alimentation est peut-être bloqué par des contaminants du propane. 5. Le régulateur n'est pas complètement raccordé. 	<ol style="list-style-type: none"> 1. Pesez la bouteille et vérifiez si le poids à vide correspond au poids à vide indiqué sur la bouteille. 2. Apportez la bouteille à l'endroit où vous la faites remplir. Il se peut qu'il y ait de l'air dans le tuyau d'alimentation. Demandez que la bouteille soit purgée. 3. Vérifiez tous les raccords. Assurez-vous que le robinet de la bouteille de propane est complètement ouvert.
<p>L'appareil cesse de fonctionner LCD  DEL-le voyant DEL clignotant en rouge/orange à des intervalles de 7 secondes</p>	<ol style="list-style-type: none"> 1. Basse tension de la pile. 	<ol style="list-style-type: none"> 1. Chargez la pile avant la première utilisation et en début de saison. Le chargeur LED sera vert une fois que la pile sera complètement chargée. 2. Vérifiez les connexions de la pile; assurez-vous qu'elle est bien insérée et encastrée. 3. Si une pile complètement chargée indique que la charge est faible pendant le cycle, rechargez ou remplacez la pile.
<p>Arrêt de l'appareil LCD  DEL-clignotement rouge/vert à des intervalles de 7 secondes</p>	<ol style="list-style-type: none"> 1. Température élevée 	<ol style="list-style-type: none"> 1. Arrêtez le piège et laissez-le refroidir pendant une heure, puis redémarrez.
<p>Arrêt de l'appareil LCD  DEL-clignotement rouge double à des intervalles de 7 secondes</p>	<ol style="list-style-type: none"> 1. Défaillance du thermaître 	<ol style="list-style-type: none"> 1. Contactez votre prestataire de service local.
<p>Arrêt de l'appareil DEL – rouge ininterrompu</p>	<ol style="list-style-type: none"> 1. Défaillance électrique 	<ol style="list-style-type: none"> 1. Contactez votre prestataire de service local.
<p>Attrape peu ou pas de moustiques</p>	<ol style="list-style-type: none"> 1. Les insectes ne sont peut-être pas encore sortis. 2. Le piège n'est pas bien placé. 3. Le cycle de reproduction des insectes piqueurs n'a pas encore été interrompu. 4. Le flux d'air inverse à technologie «Counterflow» est peut-être perturbé. 	<ol style="list-style-type: none"> 1. Vérifiez que la température est constamment au-dessus de 50°F (10°C). 2. Suivez les étapes de la section «Emplacement optimum du piège» de votre manuel de l'utilisateur ou consultez votre mode d'emploi sur le CD-ROM inclus avec votre piège. 3. Laissez le piège en marche constamment 24 heures sur 24 et 7 jours sur 7 pendant 4 semaines au moins afin de réduire la population de moustiques. 4. Le flux d'air peut être restreint. Contactez votre prestataire de service local.

